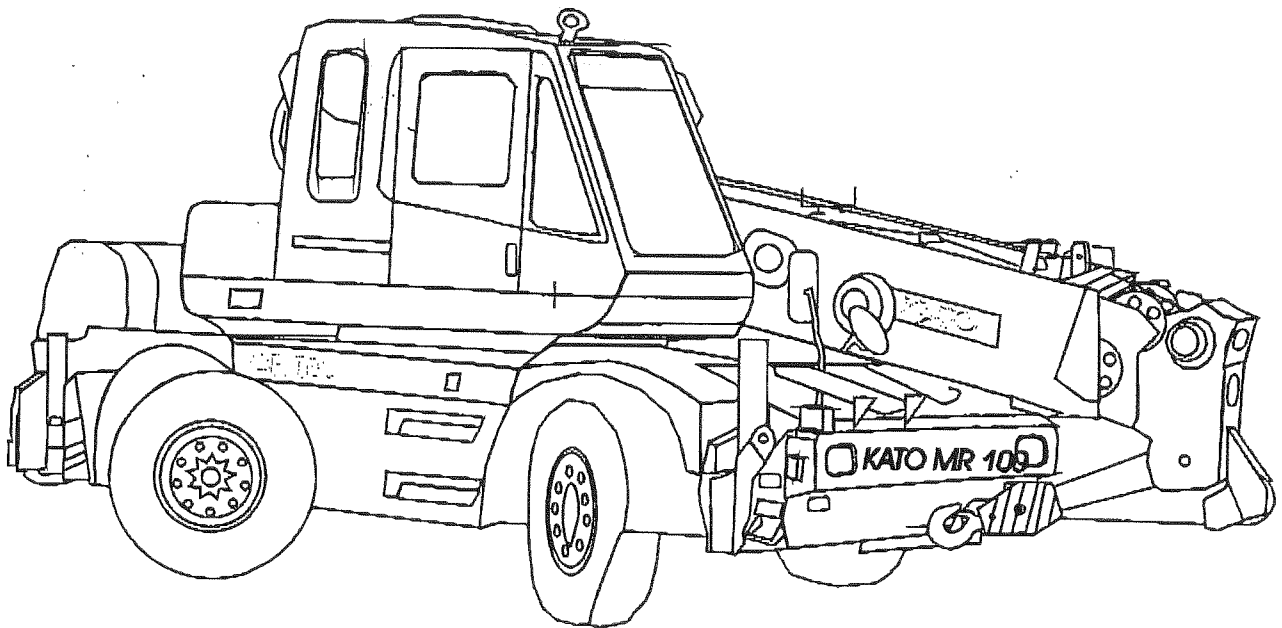


KATO MR10 CITY CRANE



BOYD CRANE HIRE LTD.

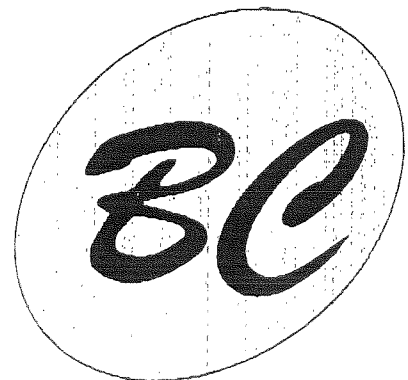
PH (03) 4423926

FAX (03) 4423923

SUPERVISOR GERALD COUGHLIN

PH 0274423926

MANAGER (027) 229 5553



MR 10 City Crane

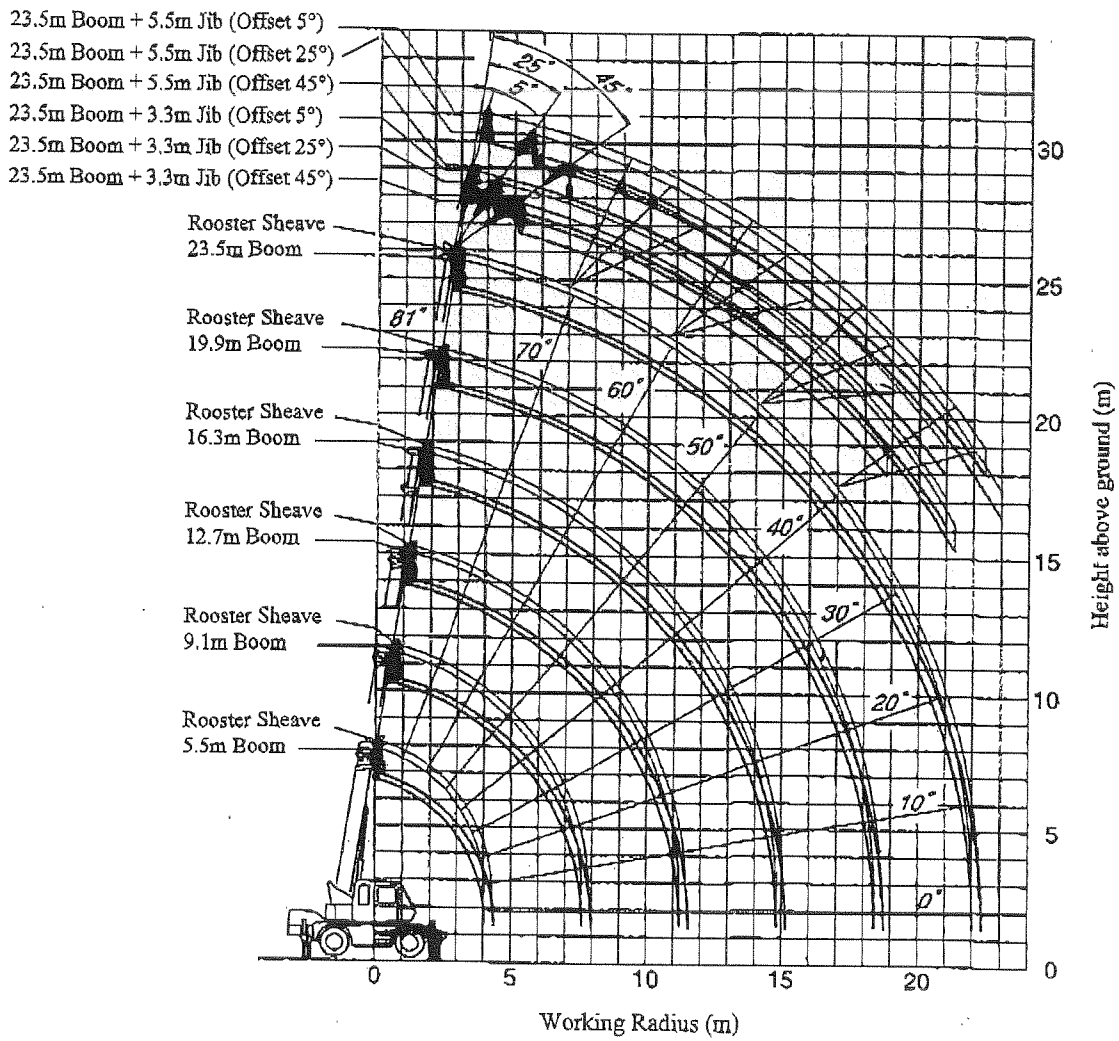
Rated Lifting Capacity Chart

Outriggers Fully Extended (4.5m) - 360° Full Range						
Working Radius (m)	5.5m Boom	9.1m Boom	12.7m Boom	16.3m Boom	19.9m Boom	23.5m Boom
1.5	10.00	5.00	5.00			
2.0	10.00	5.00	5.00	4.00		
2.5	10.00	5.00	5.00	4.00		
3.0	8.00	5.00	5.00	4.00	4.00	
3.5	6.10	5.00	5.00	4.00	4.00	2.30
4.0	5.20	5.00	5.00	4.00	4.00	2.30
4.5		5.00	4.55	4.00	3.70	2.30
5.0		4.40	4.10	3.70	3.40	2.30
5.5		3.95	3.70	3.40	3.10	2.30
6.0		3.55	3.35	3.15	2.85	2.30
6.5		3.15	3.05	2.90	2.60	2.15
7.0		2.80	2.80	2.65	2.40	2.00
8.0		2.50 [7.5m]	2.30	2.25	2.05	1.75
9.0			1.90	1.95	1.80	1.55
10.0			1.55	1.70	1.60	1.40
11.0			1.20	1.45	1.40	1.25
12.0				1.20	1.25	1.15
13.0				0.95	1.05	1.05
14.0				0.80	0.90	0.95
15.0				0.70 [14.5m]	0.75	0.85
16.0					0.65	0.70
17.0					0.55	0.60
18.0					0.45	0.50
19.0						0.42
20.0						0.35
21.0						0.30
22.0						0.25
Critical boom angle	-	-	-	-	-	-
Standard hook	10t hook					
Hook weight	75 kg					
Parts of line	8	4	4	4	4	4

(unit: metric ton)

MR 10 City Crane

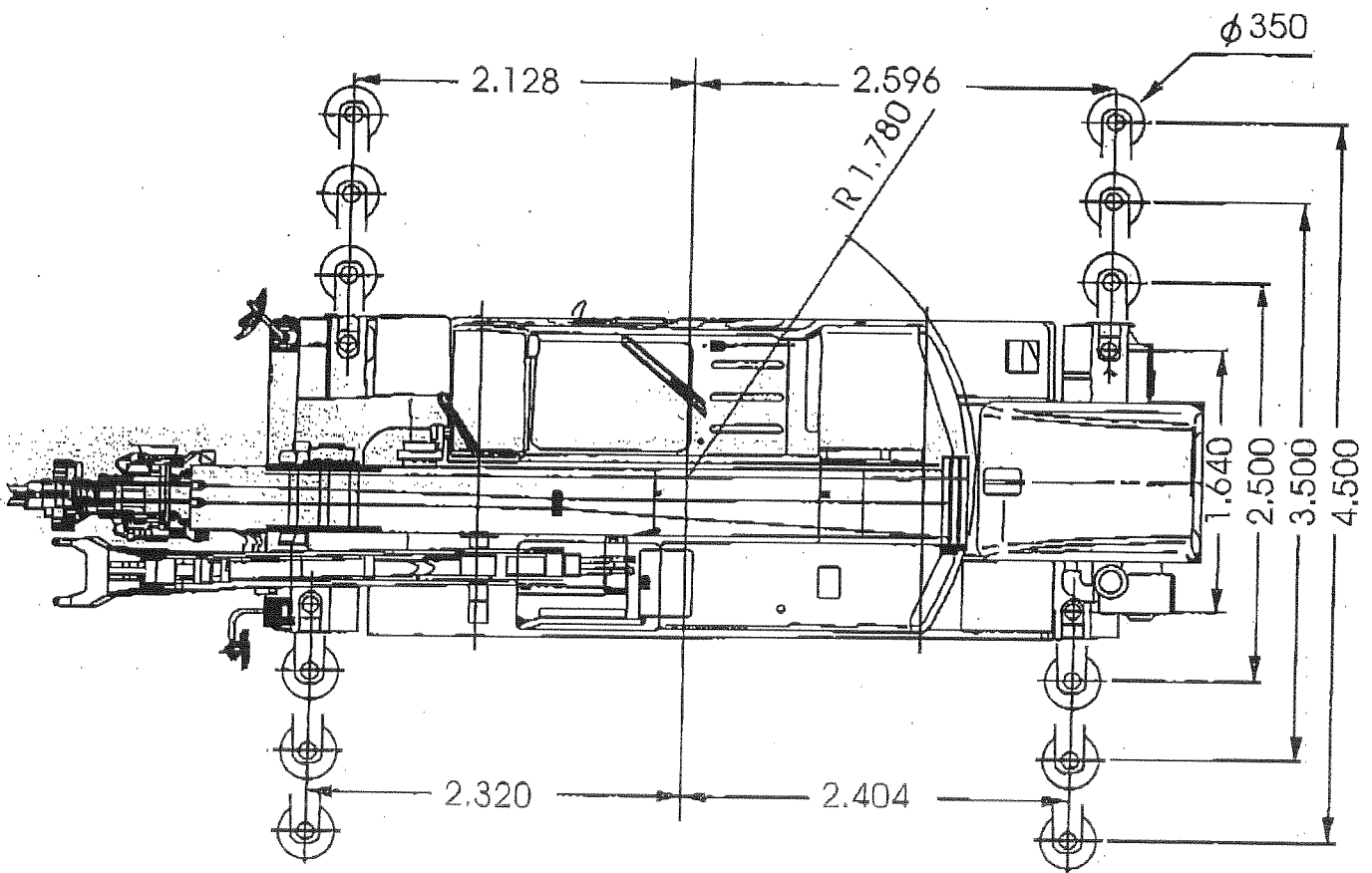
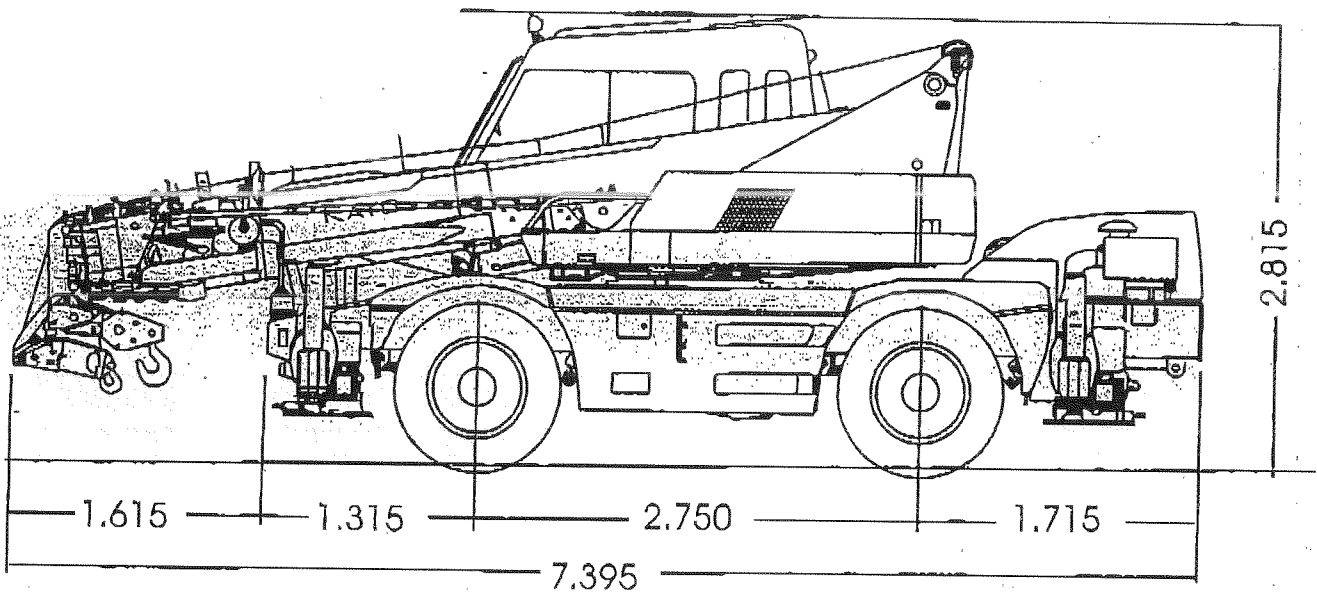
Working Range



Note:

1. This diagram does not include deflection of boom and fly jib
2. This diagram is for the case of the outriggers fully extended and applicable to 360° full range

KATO MR10 CITY CRANE



MR 10 City Crane

Rated Lifting Capacity Chart

23.5m Boom + 5.5m Jib						
Outriggers Fully Extended (4.5m) - 360° Full Range						
Boom Angle (°)	Offset 5°		Offset 25°		Offset 45°	
	Working Radius (m)	Load (ton)	Working Radius (m)	Load (ton)	Working Radius (m)	Load (ton)
81	4.1	0.75	5.9	0.60	7.1	0.50
75	7.4	0.75	9.0	0.60	10.0	0.50
68	11.0	0.75	12.2	0.53	13.1	0.46
65	12.3	0.68	13.5	0.51	14.3	0.45
60	14.5	0.58	15.7	0.47	16.3	0.43
55	16.6	0.50	17.6	0.43	18.2	0.40
50	18.5	0.44	19.4	0.39	19.8	0.36
48	19.2	0.42	20.1	0.37	20.4	0.35
46	20.0	0.36	20.8	0.36	21.0	0.34
43	20.9	0.30	21.7	0.29		
38	22.4	0.20	23.0	0.20		
Critical boom angle	36°		36°		45°	
Standard hook	1.4t hook					
Hook weight	20 kg					
Parts of line	1					

23.5m Boom + 5.5m Jib						
Outriggers Fully Extended (3.5m) - Over Side						
Boom Angle (°)	5° Offset		25° Offset		45° Offset	
	Working Radius (m)	Load (ton)	Working Radius (m)	Load (ton)	Working Radius (m)	Load (ton)
81	4.1	0.75	5.9	0.60	7.1	0.50
75	7.4	0.75	9.0	0.60	10.0	0.50
68	11.0	0.75	12.2	0.53	13.1	0.46
65	12.3	0.68	13.5	0.51	14.3	0.45
61	14.1	0.60	15.2	0.48	15.9	0.43
59	14.9	0.51	16.1	0.46	16.7	0.42
55	16.4	0.35	17.5	0.32	18.1	0.31
52	17.6	0.24	18.6	0.23	19.0	0.23
Critical boom angle	50°		50°		50°	
Standard hook	1.4t hook					
Hook weight	20 kg					
Parts of line	1					

23.5m Boom + 5.5m Jib						
Outriggers Fully Extended (2.5m) - Over Side						
	5° Offset		25° Offset		45° Offset	
	Working Radius (m)	Load (ton)	Working Radius (m)	Load (ton)	Working Radius (m)	Load (ton)
81	4.1	0.75	5.9	0.60	7.1	0.50
75	7.4	0.75	9.0	0.60	10.0	0.50
70	9.9	0.75	11.3	0.55	12.3	0.47
68.5	10.6	0.63	12.0	0.54	12.9	0.46
65	12.1	0.39	13.4	0.34	14.3	0.31
Critical boom angle	63°		63°		63°	
Standard hook	1.4t hook					
Hook weight	20 kg					
Parts of line	1					

(unit: metric ton)

MR 10 City Crane

Rated Lifting Capacity Chart

Working Radius (m)	Outriggers Intermediately Extended (3.5m) - Over Side					
	5.5m Boom	9.1m Boom	12.7m Boom	16.3m Boom	19.9m Boom	23.5m Boom
1.5	10.00	5.00	5.00			
2.0	10.00	5.00	5.00	4.00		
2.5	10.00	5.00	5.00	4.00		
3.0	8.00	5.00	5.00	4.00	4.00	
3.5	6.10	5.00	5.00	4.00	4.00	2.30
4.0	5.20	5.00	5.00	4.00	4.00	2.30
4.5		4.80	4.55	4.00	3.70	2.30
5.0		3.85	3.80	3.70	3.40	2.30
5.5		3.20	3.15	3.40	3.10	2.30
6.0		2.70	2.70	2.90	2.85	2.30
6.5		2.30	2.30	2.50	2.60	2.15
7.0		2.00	1.95	2.15	2.30	2.00
8.0		1.75 [7.5m]	1.45	1.65	1.80	1.75
9.0			1.10	1.30	1.40	1.50
10.0			0.80	1.00	1.15	1.25
11.0			0.60	0.80	0.95	1.05
12.0				0.60	0.75	0.85
13.0				0.45	0.60	0.70
14.0				0.30	0.45	0.55
15.0				0.25 [14.5m]	0.35	0.45
16.0					0.25	0.34
17.0					0.17	0.25
18.0						0.17
19.0						
20.0						
21.0						
22.0						
Critical boom angle						30°
Standard hook	10t hook					
Hook weight	75 kg					
Parts of line	8	4	4	4	4	4

(unit: metric ton)